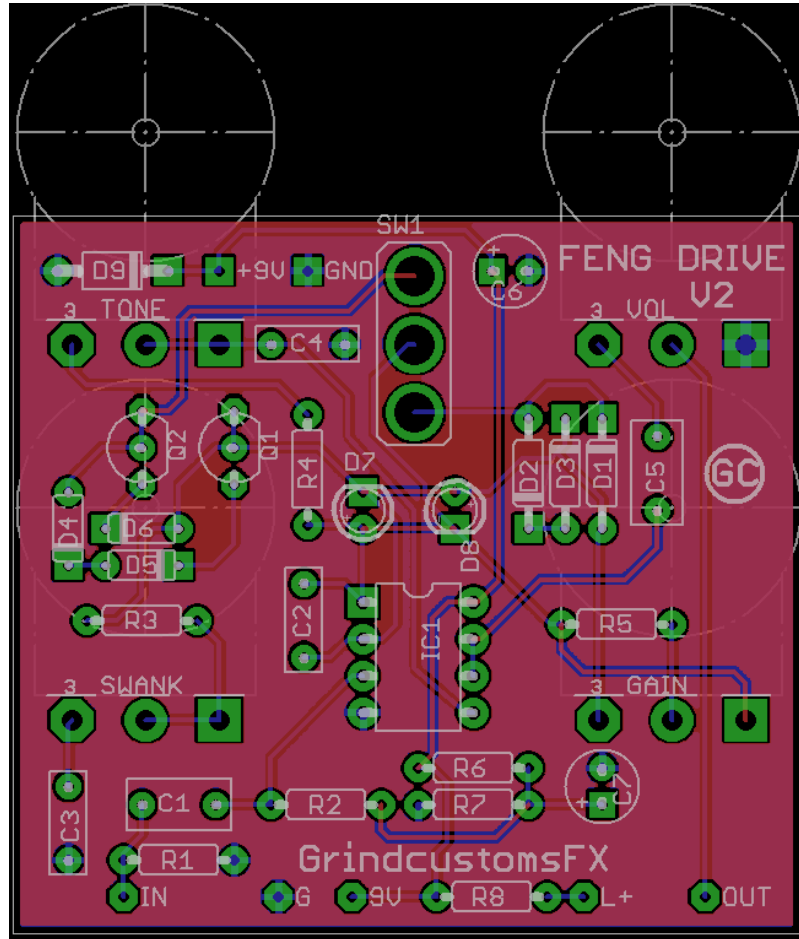


GRIND CUSTOMS FX

WWW.GRINDCUSTOMSFX.COM

FENG DRIVE II



R1	1M
R2	470K
R3	1K
R4	10K
R5	1K
R6	10K
R7	10K
R8	CLR

C1	220N
C2	100P
C3	100N
C4	3N3
C5	220N
C6	47U
C7	47U

D1-D3	1N914
D4-D6	BAT41
D7&D8	LED
D9	1N4001
IC1	4558
Q1&2	2N7000
SW1	SPDT ON/OFF/ON
SWANK	B10K
VOLUME	A100K
GAIN	B500K
TONE	B50K

GRIND CUSTOMS FX

WWW.GRINDCUSTOMSFX.COM

EVOLUTION BABY...

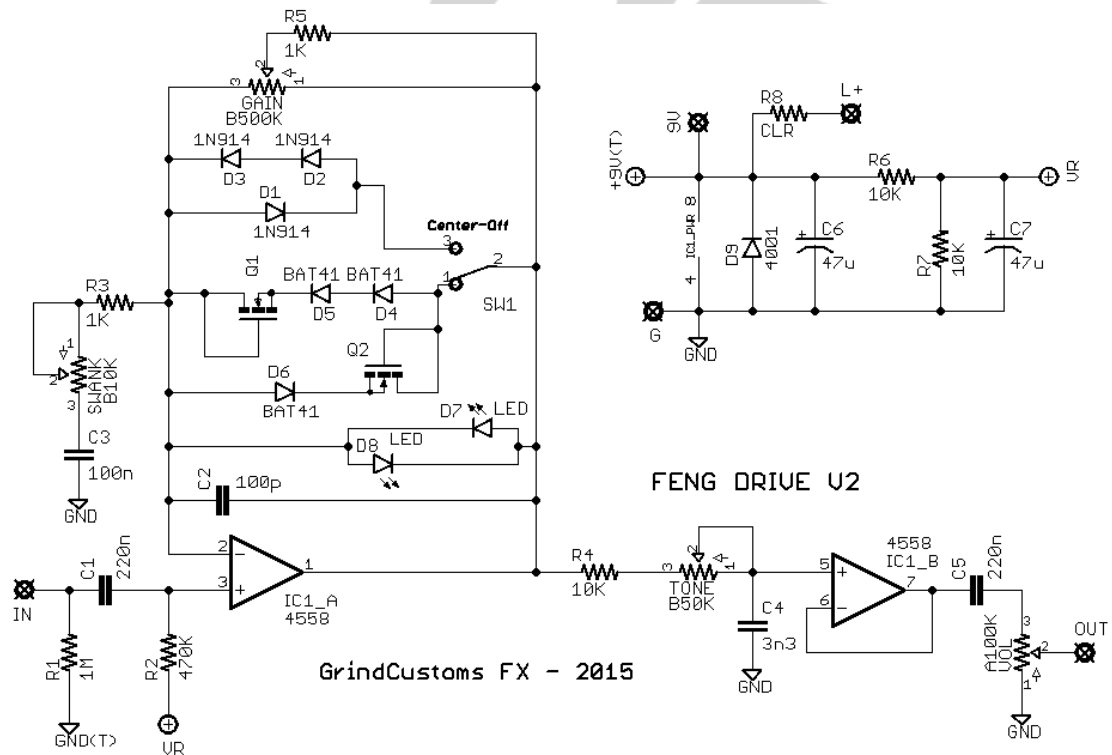
The idea with this new version was too offer a true clone of the highly coveted Zen Drive, as the initial Feng was a work-a-like.

Everything has been board mounted and updated to our standard 125B/1590B layout. And too top it, we added clipping options.

PCB by Forrest.

PROBLEMETTE

The gain pot is backwards on both the schematic and the PCB, so will work backwards. If you cross the 1 and 3 lugs however it'll work the correct way. Sorry about that.



GRIND CUSTOMS FX

WWW.GRINDCUSTOMSFX.COM

